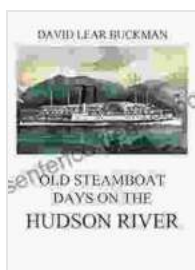


Reliving the Golden Age: Exploring Old Steamboat Days on the Hudson River

The Hudson River: A Majestic Waterway



Old Steamboat Days On The Hudson River

by David Lear Buckman

★★★★★ 5 out of 5

Language : English

File size : 8306 KB

Text-to-Speech : Enabled

Screen Reader : Supported

Enhanced typesetting : Enabled

Word Wise : Enabled
Print length : 297 pages



The Hudson River, a majestic waterway stretching from the Atlantic Ocean to the Adirondack Mountains, has played a pivotal role in American history, commerce, and transportation. As a major artery connecting New York City with the Hudson Valley and beyond, the river has witnessed the rise and fall of civilizations, the growth of industries, and the unfolding of countless human dramas.

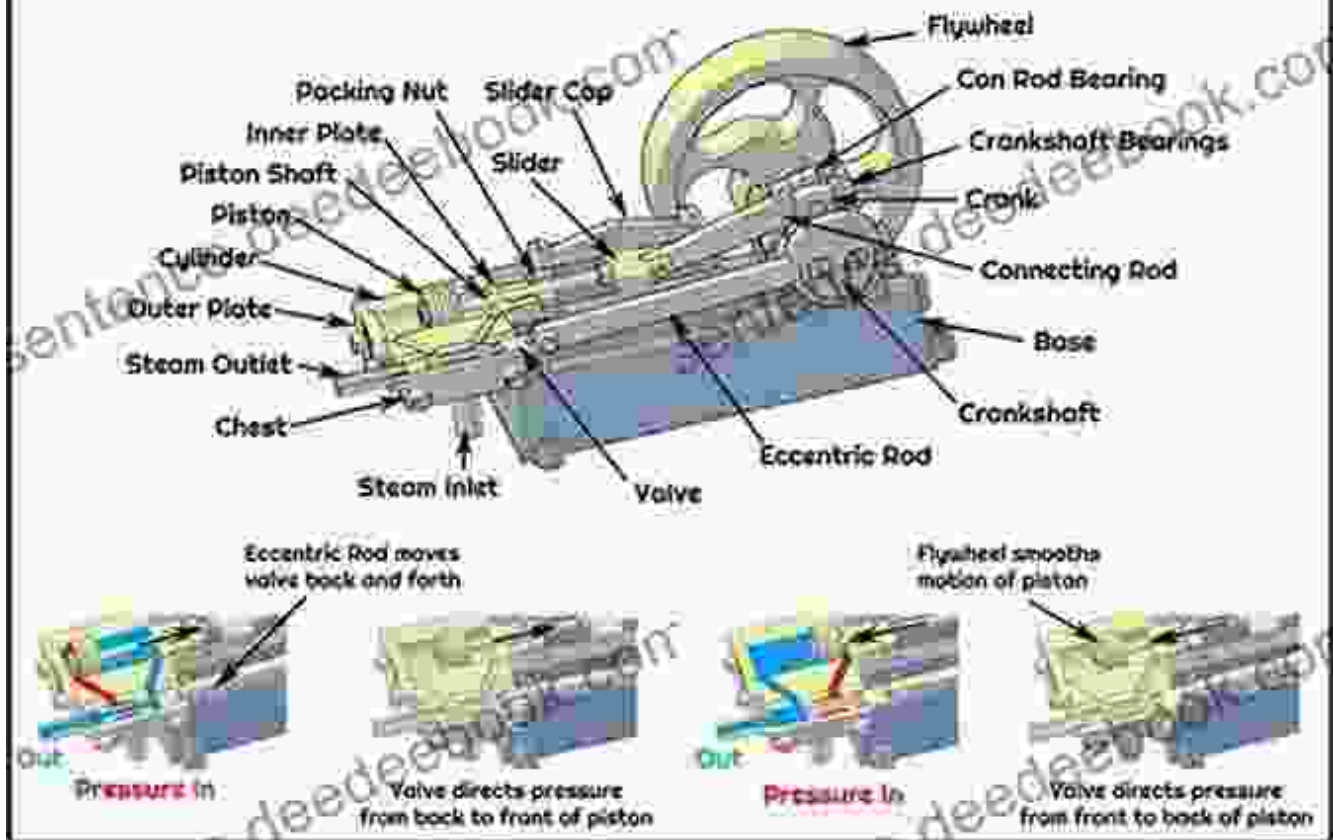
The Golden Age of Steamboats

The 19th century marked the golden age of steamboats on the Hudson River. These magnificent vessels, powered by steam engines, revolutionized transportation and trade, carrying passengers and freight between bustling cities, scenic towns, and remote outposts along the riverbanks.

Steamboats brought unparalleled speed, comfort, and convenience to river travel. They offered spacious cabins, elegant dining rooms, and ample decks where passengers could enjoy breathtaking views of the Hudson Valley's verdant landscapes and towering mountains.

Steamboat Design and Engineering

How do Steam Engines Work?



Hudson River steamboats were marvels of engineering. Shipbuilders employed innovative designs and cutting-edge technology to create vessels that were both functional and aesthetically pleasing.

The steam engines, located in the heart of the boat, generated immense power to drive massive paddlewheels that propelled the boat forward. The hulls were carefully crafted to optimize speed and stability, while the ornate exteriors and lavish interiors reflected the opulence and grandeur of the era.

Riverfront Scenes and Bustling Cities

The arrival and departure of steamboats along the Hudson River were major events that drew crowds to the riverfronts. The docks and wharves bustled with activity as passengers boarded and disembarked, while vendors hawked their wares and musicians entertained the throngs.

Cities such as New York, Albany, and Troy flourished as important steamboat hubs. Hotels, restaurants, and shops sprang up to cater to the needs of travelers and crew. The riverfront became a vibrant social and commercial center, connecting people and goods from far and wide.

Famous Steamboat Captains and Notable Passengers

The Hudson River steamboat era produced legendary captains and illustrious passengers who left an enduring mark on history. Captain Cornelius Vanderbilt, known as the "Commodore," built a steamboat empire that dominated the river for decades.

Among the many notable passengers who sailed the Hudson River were writers, artists, politicians, and social reformers. Washington Irving, author of "The Legend of Sleepy Hollow," frequently traveled by steamboat, drawing inspiration from the river's scenery and characters.

The Decline of Steamboats

The golden age of steamboats on the Hudson River gradually declined in the early 20th century. The rise of railroads and automobiles provided faster and more convenient modes of transportation, leading to a decline in steamboat traffic.

Many steamboats were eventually retired or converted to other uses. However, a handful of these historic vessels have been lovingly restored

and preserved, offering modern-day passengers a glimpse into the grandeur and nostalgia of yesteryear.

Preserving the Steamboat Legacy



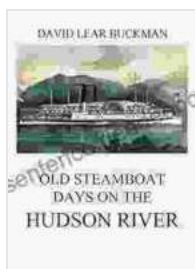
Today, several organizations and museums are dedicated to preserving the legacy of Hudson River steamboats. The Hudson River Maritime Museum in Kingston, New York, houses a collection of artifacts and exhibits that tell the story of the river's maritime heritage.

The Steamer Alexander Hamilton, a fully restored steamboat, offers scenic cruises along the Hudson River, providing visitors with a unique opportunity to experience the golden age of river travel firsthand.

A Nostalgic Journey through Time

Exploring old steamboat days on the Hudson River is a nostalgic journey that transports us back to a time of adventure, elegance, and bygone grandeur. From the majestic vessels themselves to the bustling riverfront scenes, the Hudson River steamboat era evokes a sense of wonder and romance that continues to captivate generations.

Whether you embark on a historic cruise or simply delve into the fascinating tales of steamboat history, reliving the golden age on the Hudson River offers an unforgettable glimpse into an era that shaped American history and culture.



Old Steamboat Days On The Hudson River

by David Lear Buckman

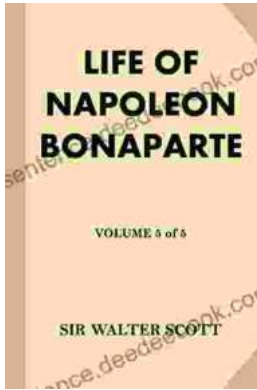
★★★★★ 5 out of 5

Language : English
File size : 8306 KB
Text-to-Speech : Enabled
Screen Reader : Supported
Enhanced typesetting : Enabled
Word Wise : Enabled
Print length : 297 pages

FREE

DOWNLOAD E-BOOK





Life of Napoleon Bonaparte, Volume II: His Rise to Power

**** Napoleon Bonaparte, one of the most influential and enigmatic figures in history, emerged from obscurity to become Emperor of the French and...



Lucy Sullivan Is Getting Married: A Tale of Love, Laughter, and Adventure

Lucy Sullivan is a young woman who is about to get married. She is excited and nervous about the big day, but she is also confident that she is making...